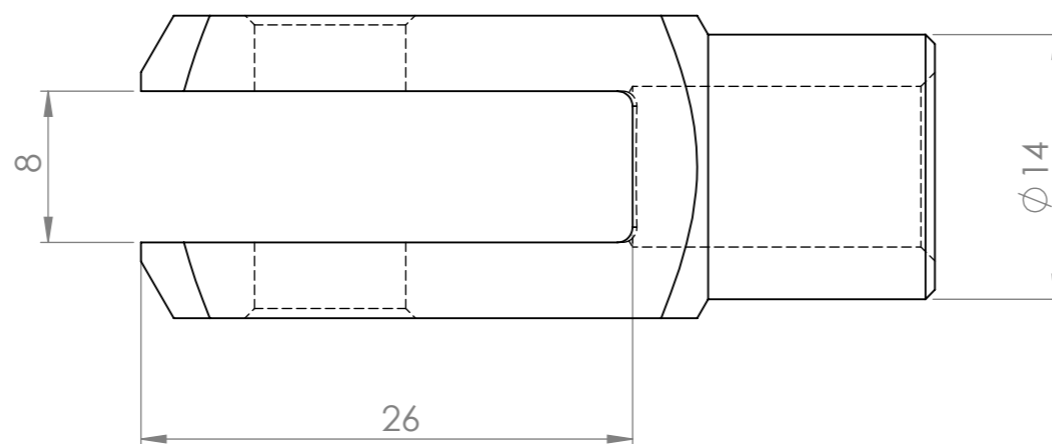
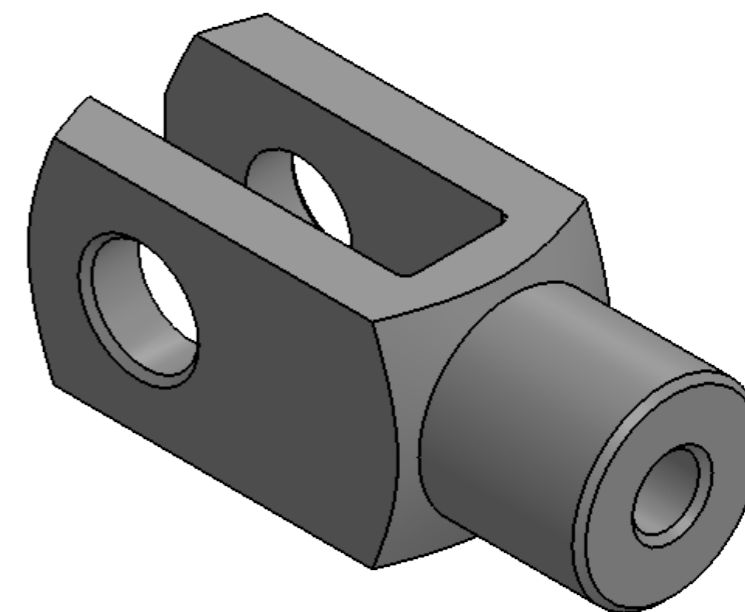
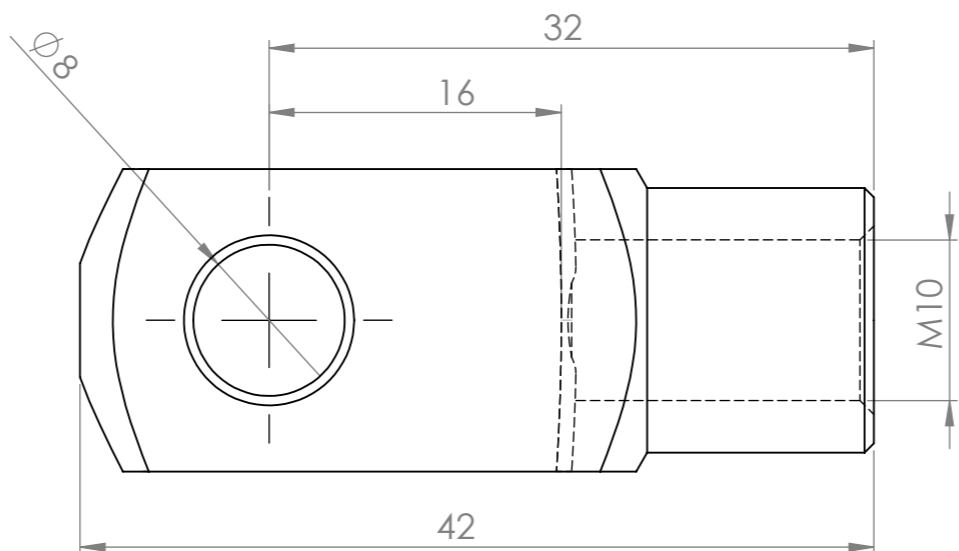
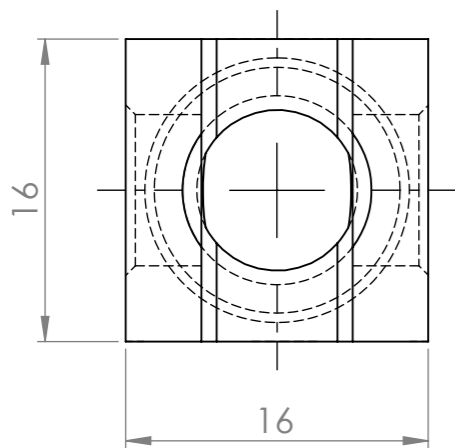


8 7 6 5 4 3 2 1

F  
E  
D  
C  
B  
A

F  
E  
D  
C  
B  
A



☎ Poland+48 (0) 6 8888 1005  
 ☎ Netherlands: +31 (0) 541 682186  
 ☎ Germany: +49 (0) 322 21090223

✉ info@sprezyngazowe.pl  
 ✉ info@springmasters.nl  
 ✉ info@gasfedern.eu

TITLE: 11.M10L32T8G8

DWG NO.  
SCALE:2:1

REVISION  
SHEET 1 OF 1

A3

DO NOT SCALE DRAWING

8 7 6 5 4 3 2 1